

Inductive sensor

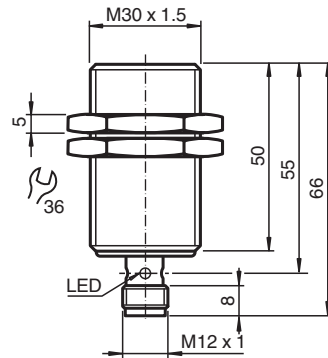
NJ10-30GM50-E2-V1-3G-3D



- 10 mm flush
- ATEX-/IECEx-approvals for zone 2/22 (Ex ec/tc)
- Stainless steel housing
- Polarity reversal protected



Dimensions



Technical Data

General specifications		
Switching function		Normally open (NO)
Output type		PNP
Rated operating distance	s_n	10 mm
Installation		flush
Output polarity		DC
Assured operating distance	s_a	0 ... 8.1 mm
Actual operating distance	s_r	9 ... 11 mm typ. 10 mm
Reduction factor r_{Al}		0.32
Reduction factor r_{Cu}		0.3
Reduction factor r_{304}		0.66
Reduction factor r_{Brass}		0.4
Output type		3-wire
Nominal ratings		
Operating voltage	U_B	10 ... 30 V DC
Switching frequency	f	0 ... 1300 Hz
Hysteresis	H	3 ... 15 % typ. 6 %

Release date: 2025-02-26 Date of issue: 2025-02-26 Filename: 70126079_eng.pdf

Refer to "General Notes Relating to Pepperl+Fuchs Product Information".

Pepperl+Fuchs Group
www.pepperl-fuchs.com

USA: +1 330 486 0001
fa-info@us.pepperl-fuchs.com

Germany: +49 621 776 1111
fa-info@de.pepperl-fuchs.com

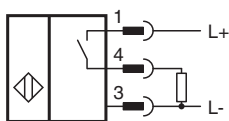
Singapore: +65 6779 9091
fa-info@sg.pepperl-fuchs.com

PEPPERL+FUCHS

Technical Data

Reverse polarity protection		reverse polarity protected
Short-circuit protection		pulsing
Voltage drop	U_d	$\leq 3 \text{ V}$
Voltage drop at I_L		
Voltage drop $I_L = 200 \text{ mA}$, switching element on	U_d	1 ... 2 V typ. 1.5 V
Operating current	I_L	$\leq 200 \text{ mA}$
Off-state current	I_r	0 ... 0.5 mA typ. 0.01 mA
No-load supply current	I_0	$\leq 15 \text{ mA}$
Time delay before availability	t_v	$\leq 100 \text{ ms}$
Switching state indicator		LED, yellow
Compliance with standards and directives		
Standard conformity		
Standards		EN IEC 60947-5-2
Approvals and certificates		
IECEx approval		
Equipment protection level Gc (ec)		IECEx TUR 21.0017X
Equipment protection level Dc (tc)		IECEx TUR 21.0018X
ATEX approval		
Equipment protection level Gc (ec)		TÜV 20 ATEX 8523 X
Equipment protection level Dc (tc)		TÜV 20 ATEX 8524 X
UL approval		cULus Listed, General Purpose, Class 2 Power Source
CCC approval		
Hazardous Location		2024322315005977 2024322315005859
Ambient conditions		
Ambient temperature		-25 ... 70 °C (-13 ... 158 °F)
Storage temperature		-40 ... 85 °C (-40 ... 185 °F)
Mechanical specifications		
Connection type		Connector plug
Housing material		Stainless steel 1.4305 / AISI 303
Sensing face		PBT
Degree of protection		IP66 / IP67
Connector		
Threading		M12 x 1
Number of pins		3
Mass		146 g
Dimensions		
Length		66 mm
Diameter		30 mm
General information		
Scope of delivery		2 self locking nuts in scope of delivery
Use in the hazardous area		see instruction manuals

Connection



Connection Assignment

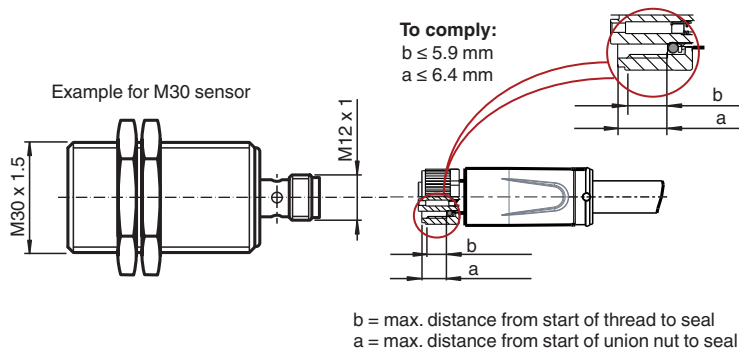


Wire colors in accordance with EN 60947-5-2

1	BN	(brown)
2	WH	(white)
3	BU	(blue)
4	BK	(black)

Installation

Requirement for cable socket to achieve IP degree of protection



Release date: 2025-02-26 Date of issue: 2025-02-26 Filename: 70126079_eng.pdf